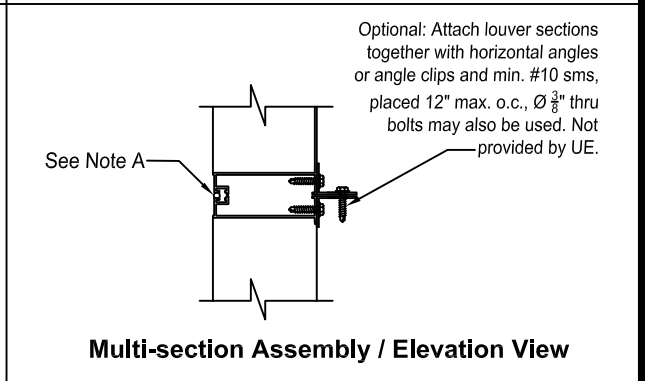
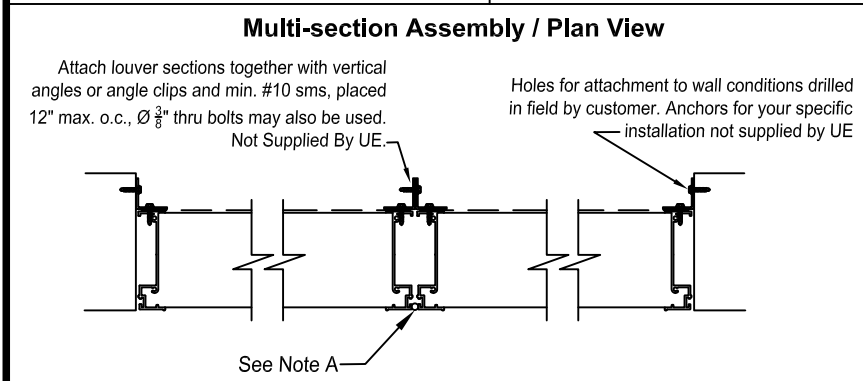
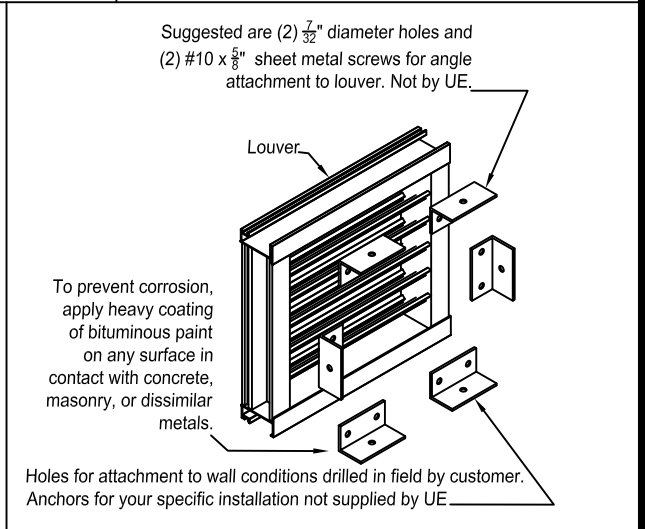
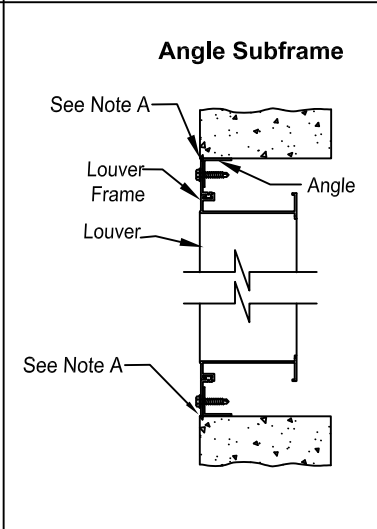
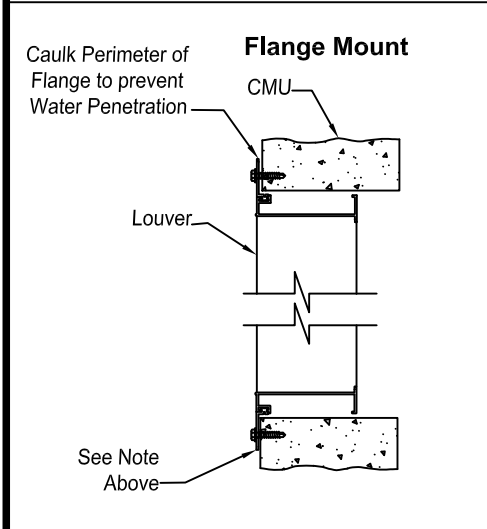
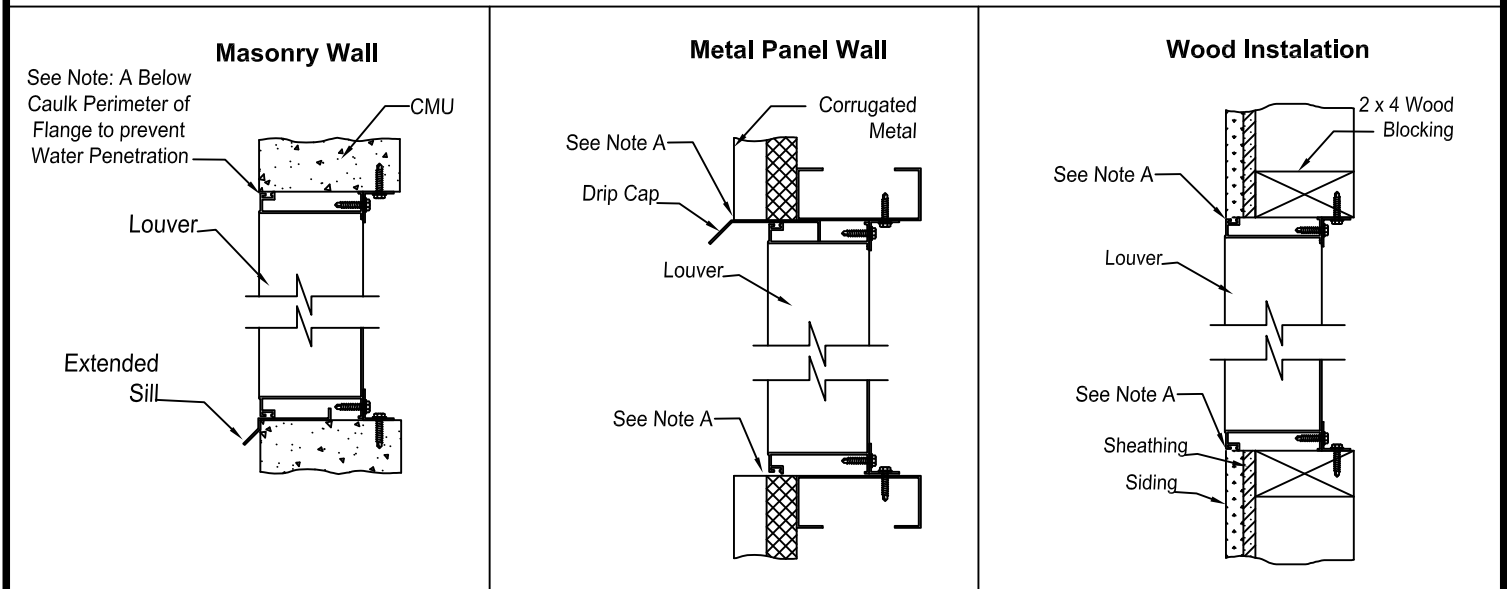


Louver Installations



Note A: After the louver is secured to the substrate, install backer rod and caulking (not provided by UE) around the perimeter of the louver to the substrate and at section joints where possible. If mullion strips are provided, place caulk behind mullion strip (if possible) before attaching. If mullion strip is already installed, apply a small bead where it touches the louver.
Due to continuing research, United Enertech reserves the right to change specifications without notice.

Job Name:
Location:
Architect:
Engineer:
Contractor:

3005 South Hickory Street
Chattanooga, Tennessee 37407
Tel: (423) 698-7715
Fax: (423) 698-6629
www.unitedenertech.com

Louver Installations

DRAWN BY: CLJ	DATE: 3-29-10	REV. DATE: 11-12-12	REV. NO. 3	APPROVED BY: CLJ	DWG. NO.: A-53
------------------	------------------	------------------------	---------------	---------------------	--------------------------